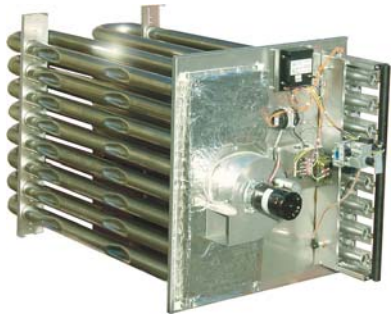


HM COMPACT RANGE



Specifically designed
for the Air Handling Units

Introducing the HM Compact Range



HMA Standard Heater

This unit is ideal for cabinets that are 1200mm + wide and has a maximum length of 720mm.

This model has a starting heat output of 35 kW and rises to 95 kW; this unit is capable of 4:1+ turndown.



HMB

Ideal for air handling units over 2 metres wide and at 442mm is the slimmest heater of the HM Range. It will save a vast amount of space on the length of the air handling unit, making it more cost effective and standard drum and tube heat exchangers.

This model has a starting heat output of 35 kW and rises to 95 kW; this unit is capable of 4:1+ turndown.



ULTRA COMPACT HMG

Ideal for where the width of the air handling unit is less than 600mm.

This Ultra Compact Unit has a maximum length of 668mm; saving on the space required to accommodate this heater within the air handling unit.

This model has a starting heat output of 18 kW and rises to 100 kW; this unit is capable of 4:1+ turndown

COMPACT HMD

Ideal for cabinets where the width is 800mm +.

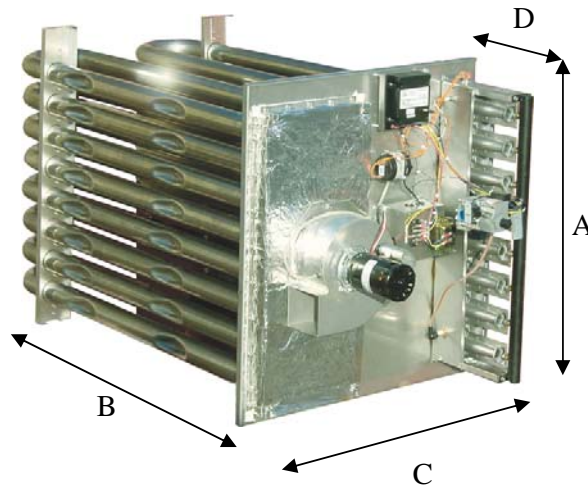
This unit has a limited output of between 18 kW and 50 kW.

This unit is capable of 4:1+ turndown.



Enviro Compact Range – Dimension Data

BMM Heaters Ltd



MODEL		35	50	60	70	85	90	95
Height (A)	mm	480	480	565	647	730	813	813
Width (B)	mm	1118	1118	1118	1118	1118	1118	1118
Length (C)	mm	720	720	720	720	720	720	720
Protrusion (D)	mm	330	330	330	330	330	330	330

Enviro Compact Range Technical Data

MODEL		35	50	60	70	85	90	95
Nominal heat output	kW	35	50	60	70	85	90	95
Nominal heat input	kW	39	55	67	78	95	100	105
Gas consumption	m ³ /h	3.75	5.37	6.44	7.51	9.13	9.66	10.20
Gas connection	bsp	¾"	¾"	¾"	¾"	¾"	¾"	¾"
Min inlet gas pressure	mbar	17.5	17.5	17.5	17.5	17.5	17.5	17.5
Max inlet gas pressure	mbar	30	30	30	30	30	30	30
Number of tubes	#	4	4	5	6	7	8	8
Flue diameter	mm	100	100	100	100	130	130	130
Combustion air inlet	mm	100	100	100	100	130	130	130
Electrical	volts	230	230	230	230	230	230	230
Net weight	kg	260	260	313	368	427	442	442

Note:

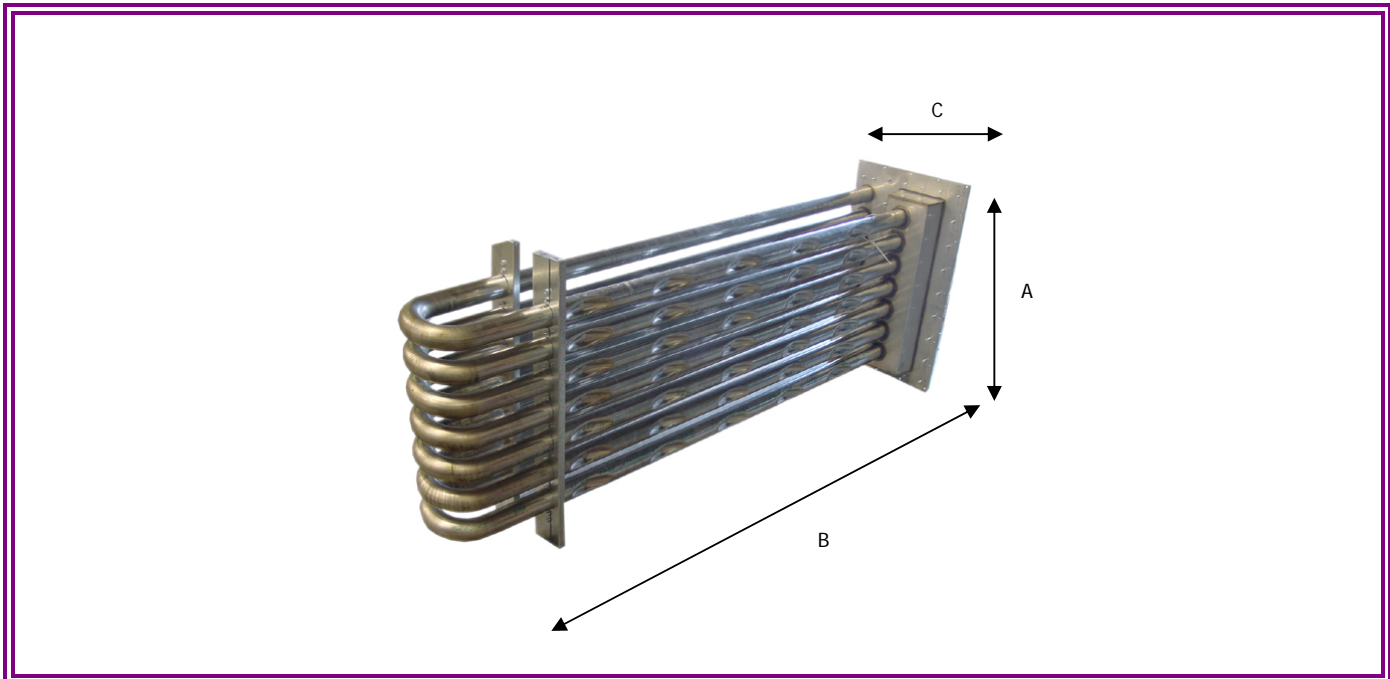
- Calculations are worked out using the calorific value 10.7 kWh/m³ - 1007 mbar – 15 °C

Pressure Drop Data – Standard Airflow

MODEL		35	50	60	70	85	90	95
Min airflow @ 44°C	m ³ /s	0.58	0.78	0.97	1.17	1.36	1.45	1.55
Max airflow	m ³ /s	2.65	3.53	4.41	5.30	6.18	6.51	7.06
Pressure drop @ min airflow	Pa	25	25	25	25	25	25	25

Enviro Compact Range – Dimension Data

BMM Heaters Ltd



MODEL		35	50	60	70	85	90	95
Height (A)	mm	525	525	607	690	772	855	855
Width (B)	mm	1909	1909	1909	1909	1909	1909	1909
Length (C)	mm	442	442	442	442	442	442	442
Protrusion (D)	mm	330	330	330	330	330	330	330

Enviro Compact Range Technical Data

MODEL		35	50	60	70	85	90	95
Nominal heat output	kW	35	50	60	70	85	90	95
Nominal heat input	kW	39	55	67	78	95	100	105
Gas consumption	m ³ /h	3.75	5.37	6.44	7.51	9.13	9.66	10.20
Gas connection	bsp	¾"	¾"	¾"	¾"	¾"	¾"	¾"
Min inlet gas pressure	mbar	17.5	17.5	17.5	17.5	17.5	17.5	17.5
Max inlet gas pressure	mbar	30	30	30	30	30	30	30
Number of tubes	#	4	4	5	6	7	8	8
Flue diameter	mm	100	100	100	100	130	130	130
Combustion air inlet	mm	100	100	100	100	130	130	130
Electrical	volts	230	230	230	230	230	230	230
Net weight	kg	245	245	293	344	401	456	456

Note:

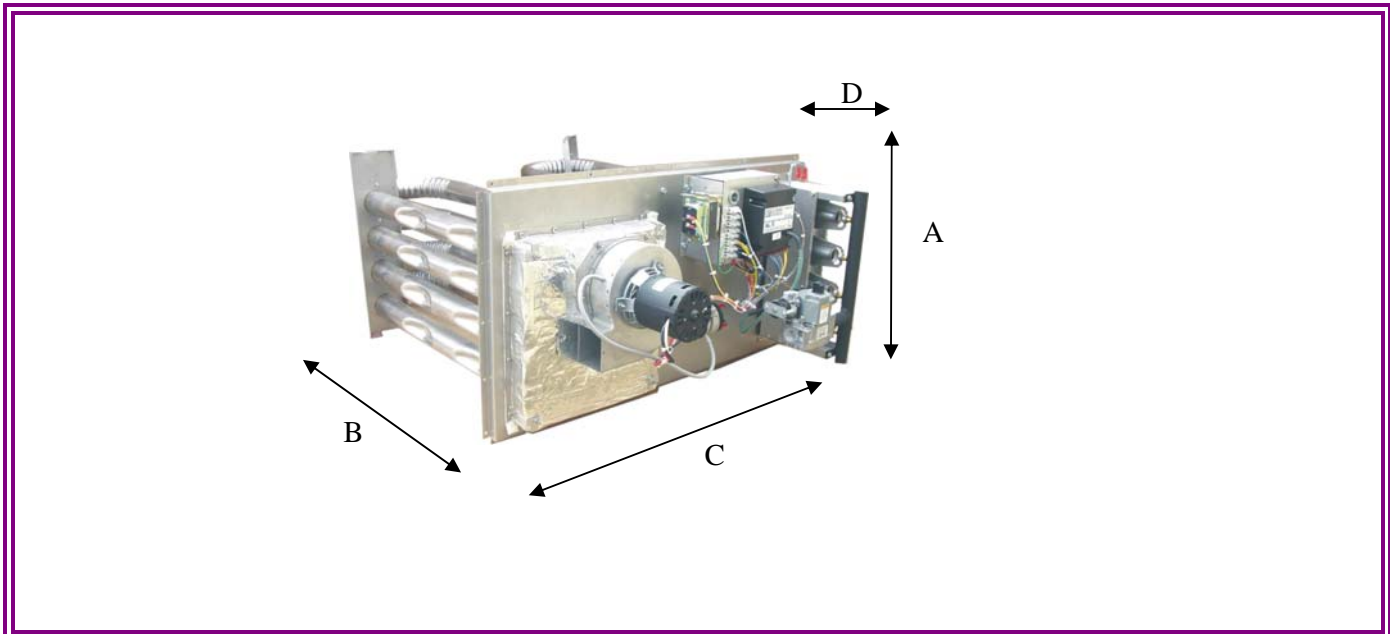
- Calculations are worked out using the calorific value 10.7 kWh/m³ - 1007 mbar – 15 °C

Pressure Drop Data – Standard Airflow

MODEL		35	50	60	70	85	90	95
Min airflow @ 44°C	m ³ /s	0.58	0.78	0.97	1.17	1.36	1.45	1.55
Max airflow	m ³ /s	2.65	3.53	4.41	5.30	6.18	6.51	7.06
Pressure drop @ min airflow	Pa	25	25	25	25	25	25	25

Enviro Compact Range – Dimension Data

BMM Heaters Ltd



MODEL		18	25	30	35	40	45	50
Height (A)	mm	331	407	483	559	635	712	693
Width (B)	mm	729	729	729	729	729	729	729
Length (C)	mm	788	788	788	788	788	788	788
Protrusion (D)	mm	250	250	250	250	250	250	250

Enviro Compact Range Technical Data

MODEL		18	25	30	35	40	45	50
Nominal heat output	kW	18	25	30	35	40	45	50
Nominal heat input	kW	20	27	34	39	44	50	55
Gas consumption	m ³ /h	1.9	2.6	3.1	3.6	4.2	4.7	5.38
Gas connection	bsp	¾"	¾"	¾"	¾"	¾"	¾"	¾"
Min inlet gas pressure	mbar	17.5	17.5	17.5	17.5	17.5	17.5	17.5
Max inlet gas pressure	mbar	30	30	30	30	30	30	30
Number of tubes	#	3	4	5	6	7	8	8
Flue diameter	mm	100	100	100	100	130	130	130
Combustion air inlet	mm	100	100	100	100	130	130	130
Electrical	volts	230	230	230	230	230	230	230
Net weight	kg	143	165	203	227	253	271	271

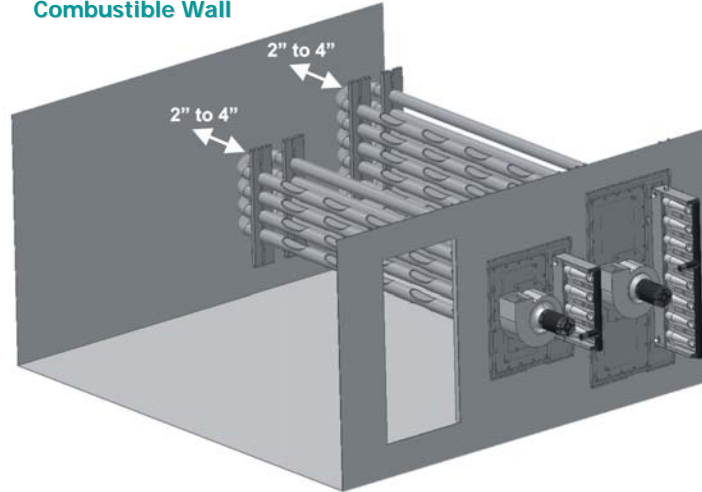
Note: Calculations are worked out using the calorific value 10.7 kWh/m³ - 1007 mbar – 15 °C

Pressure Drop Data – Standard Airflow

MODEL		18	25	30	35	40	45	50
Min airflow @ 44°C	m ³ /s	0.29	0.39	0.49	0.58	0.68	0.78	0.87
Max airflow	m ³ /s	1.32	1.77	2.21	2.65	3.09	3.53	3.97
Pressure drop @ min airflow	Pa	25	25	25	25	25	25	25

Examples of Installation.

Minimum Clearance from the U-Bend to Non-Combustible Wall



Where Space Is Limited You Can Butt The HM Flanges Together

Conventional Horizontal Airflow Uni-Directional

